

蝶阀

Butterfly Valve



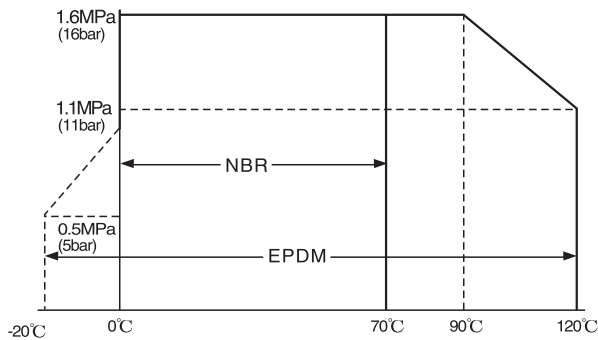
PN16 球墨铸铁 DJ 型蝶阀

PN16 DJ Series Ductile Iron Wafer Type Butterfly Valves

■ 技术说明 [Technical specifications]

最高工作压力	[Maximum service pressure]	1.6MPa (16bar)
使用温度范围	[Service temperature range]	
NBR 垫圈	[NBR seat]	0°C ~ + 70°C
EPDM 垫圈	[EPDM seat]	(-20°C)0°C ~ +120°C
—连续使用流体温度范围	---Continuous service temperature range	0°C ~ +100°C
结构长度	[Face-to-face dimensions]	ISO5752-20

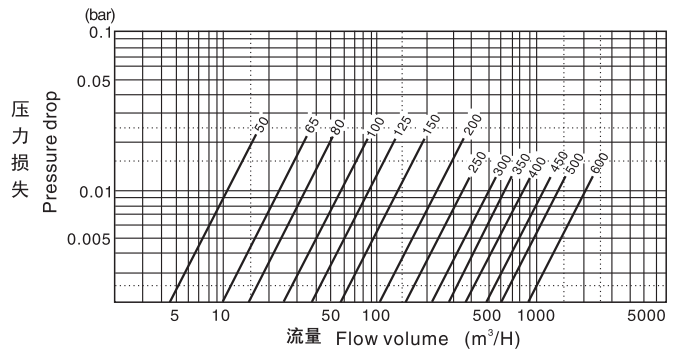
■ 压力—温度特性 [P-T rating of seat]



(注) 在上表所示的温度范围以外使用时, 请到本公司咨询。

Contact KITZ for technical advice when service conditions may exceed the P-T rating range limited here.

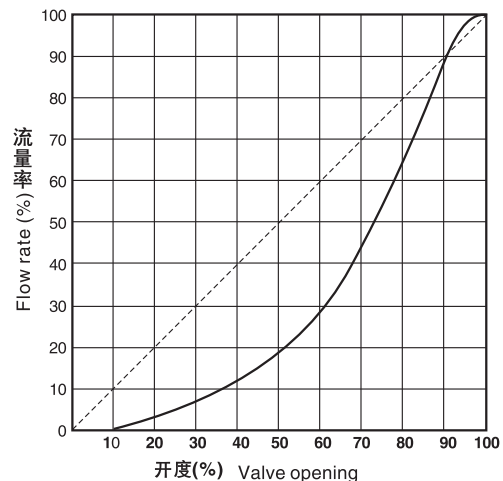
■ 流量特性 [Flow characteristics]



■ Cv值 [Flow coefficient (Cv)]

DN		开度 Valve opening			
mm	inch	30	45	60	90
50	2	10	23	47	124
65	2½	22	50	102	270
80	3	33	74	149	397
100	4	55	125	252	671
125	5	83	189	381	1013
150	6	126	286	576	1532
200	8	229	522	1050	2792
250	10	326	743	1494	3973
300	12	492	1123	2258	6005
350	14	601	1371	2756	7329
400	16	784	1787	3593	9557
450	18	1071	2441	4909	13056
500	20	1302	2969	5969	15875
600	24	1951	4449	8947	23794

■ 流量曲线 [Flow rate]

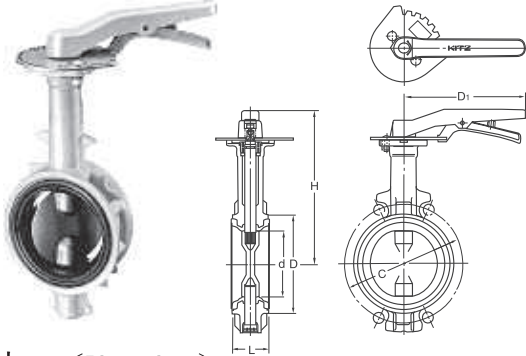


PN16

球墨铸铁DJ型蝶阀 (手柄式)

DJ Series Ductile Iron Wafer Type Butterfly Valves, Lever Operated

- PN16DJ [蝶板 (Disc): 球墨铸铁 (Ductile Iron)/橡胶密封垫 (Seat rubber): 橡胶 (NBR)]
- PN16DJE [蝶板 (Disc): 球墨铸铁 (Ductile Iron)/橡胶密封垫 (Seat rubber): 橡胶 (EPDM)]
- PN16DJU [蝶板 (Disc): 304型不锈钢 (304 Type Stainless Steel)/橡胶密封垫 (Seat rubber): 橡胶 (NBR)]
- PN16DJUE [蝶板 (Disc): 304型不锈钢 (304 Type Stainless Steel)/橡胶密封垫 (Seat rubber): 橡胶 (EPDM)]
- PN16DJM [蝶板 (Disc): 316型不锈钢 (316 Type Stainless Steel)/橡胶密封垫 (Seat rubber): 橡胶 (NBR)]
- PN16DJME [蝶板 (Disc): 316型不锈钢 (316 Type Stainless Steel)/橡胶密封垫 (Seat rubber): 橡胶 (EPDM)]



材质 [Materials]

零件 [Parts]	材质 [Material]
阀体 [Body]	球墨铸铁 FCD450 [Ductile iron FCD450]
阀杆 [Stem]	13%Cr 不锈钢 [13%Cr Stainless steel]
蝶板 [Disc]	球墨铸铁/304 不锈钢/316 不锈钢 [Ductile iron/304 Type Stainless steel/316 Type Stainless steel]
O型圈 [O-ring]	橡胶 [NBR/EPDM]
橡胶密封垫 [Seat rubber]	橡胶 [NBR/EPDM]

注: 法兰式连接可选。 Note: Flange type for option.

尺寸 [Dimensions]

(mm)

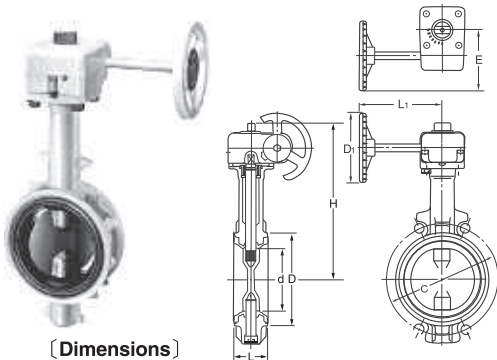
DN	mm	50	65	80	100	125	150	200
	inch	2	2½	3	4	5	6	8
d		50	65	80	100	125	150	200
H		191	199	217	227	265	277	287
L		43	46	46	52	56	56	60
D		90	104	124	146	176	206	257
C		125	145	160	180	210	240	295
D1		180	180	180	180	230	230	350

PN16

球墨铸铁DJ型蝶阀 (蜗轮式)

DJ Series Ductile Iron Wafer Type Butterfly Valves, Gear Operated

- G-PN16DJ [蝶板 (Disc): 球墨铸铁 (Ductile Iron)/橡胶密封垫 (Seat rubber): 橡胶 (NBR)]
- G-PN16DJE [蝶板 (Disc): 球墨铸铁 (Ductile Iron)/橡胶密封垫 (Seat rubber): 橡胶 (EPDM)]
- G-PN16DJU [蝶板 (Disc): 304型不锈钢 (304 Type Stainless Steel)/橡胶密封垫 (Seat rubber): 橡胶 (NBR)]
- G-PN16DJUE [蝶板 (Disc): 304型不锈钢 (304 Type Stainless Steel)/橡胶密封垫 (Seat rubber): 橡胶 (EPDM)]
- G-PN16DJM [蝶板 (Disc): 316型不锈钢 (316 Type Stainless Steel)/橡胶密封垫 (Seat rubber): 橡胶 (NBR)]
- G-PN16DJME [蝶板 (Disc): 316型不锈钢 (316 Type Stainless Steel)/橡胶密封垫 (Seat rubber): 橡胶 (EPDM)]



材质 [Materials]

零件 [Parts]	材质 [Material]
阀体 [Body]	球墨铸铁 FCD450 [Ductile iron FCD450]
阀杆 [Stem]	13%Cr 不锈钢 [13%Cr Stainless steel]
蝶板 [Disc]	球墨铸铁/304 不锈钢/316 不锈钢 [Ductile iron/304 Type Stainless steel/316 Type Stainless steel]
O型圈 [O-ring]	橡胶 [NBR/EPDM]
橡胶密封垫 [Seat rubber]	橡胶 [NBR/EPDM]

注: 法兰式连接可选。 Note: Flange type for option.

尺寸 [Dimensions]

(mm)

DN	mm	50	65	80	100	125	150	200	250	300	350	400	450	500	600
	inch	2	2½	3	4	5	6	8	10	12	14	16	18	20	24
d		50	65	80	100	125	150	197	246	295	334	385	434	482	579
H		210	218	236	246	274	286	325	391	416	462	517	541	623	671
L		43	46	46	52	56	56	60	68	78	78	102	114	127	154
D		90	104	124	146	176	206	257	312	364	407	466	522	575	680
C		125	145	160	180	210	240	295	355	410	470	525	585	650	770
D1		110	110	110	110	110	110	170	310	310	360	360	360	500	500
L1		135	135	135	135	150	150	180	280	280	310	310	310	410	410
E		96	96	96	96	96	96	148	221	221	269	269	269	384	384

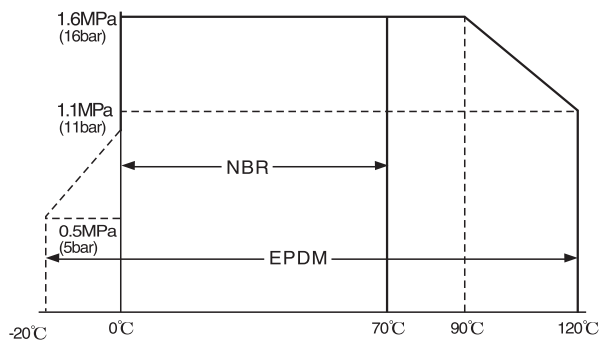
PN16 球墨铸铁 DJL 型突耳式蝶阀

PN16 DJL Series Ductile Iron Lugged Butterfly Valves

■ 技术说明 [Technical specifications]

最高工作压力	[Maximum service pressure]	1.6MPa (16bar)
使用温度范围	[Service temperature range]	
NBR 垫圈	[NBR seat]	0°C ~ + 70°C
EPDM 垫圈	[EPDM seat]	(-20°C)0°C ~ +120°C
—连续使用流体温度范围	---Continuous service temperature range	0°C ~ +100°C
结构长度	[Face-to-face dimensions]	ISO5752-20

■ 压力—温度特性 [P-T rating of seat]



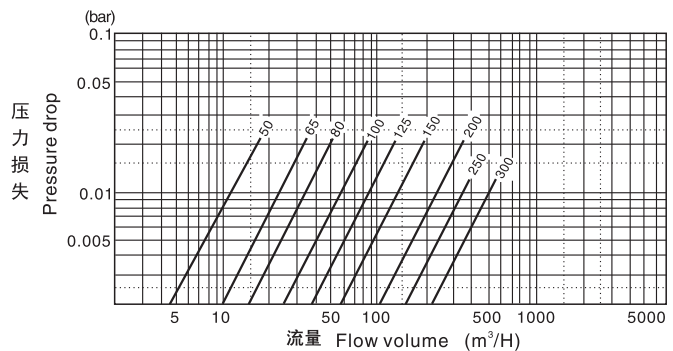
(注) 在上表所示的温度范围以外使用时, 请到本公司咨询。

Contact KITZ for technical advice when service conditions may exceed the P-T rating range limited here.

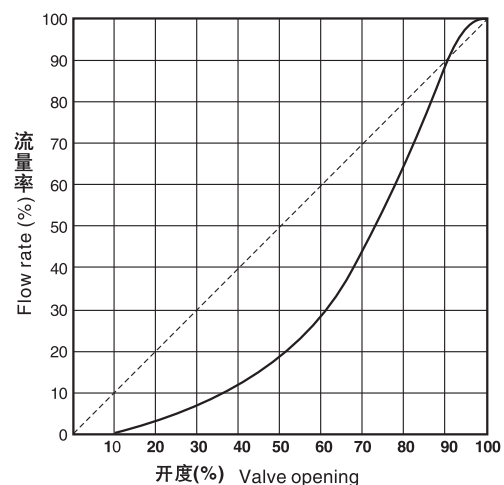
■ Cv值 [Flow coefficient (Cv)]

DN		开度 Valve opening			
mm	inch	30	45	60	90
50	2	10	23	47	124
65	2½	22	50	102	270
80	3	33	74	149	397
100	4	55	125	252	671
125	5	83	189	381	1013
150	6	126	286	576	1532
200	8	229	522	1050	2792
250	10	326	743	1494	3973
300	12	492	1123	2258	6005

■ 流量特性 [Flow characteristics]



■ 流量曲线 [Flow rate]

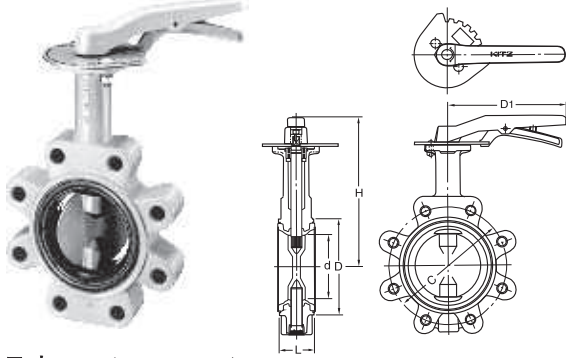


PN16

球墨铸铁 DJL 型突耳式蝶阀 (手柄式)

DJL Series Ductile Iron Lugged Type Butterfly Valves, Lever Operated

- PN16DJL [蝶板 (Disc): 球墨铸铁 (Ductile Iron)/橡胶密封垫 (Seat rubber): 橡胶 (NBR)]
- PN16DJLE [蝶板 (Disc): 球墨铸铁 (Ductile Iron)/橡胶密封垫 (Seat rubber): 橡胶 (EPDM)]
- PN16DJLU [蝶板 (Disc): 304型不锈钢 (304 Type Stainless Steel)/橡胶密封垫 (Seat rubber): 橡胶 (NBR)]
- PN16DJLUE [蝶板 (Disc): 304型不锈钢 (304 Type Stainless Steel)/橡胶密封垫 (Seat rubber): 橡胶 (EPDM)]
- PN16DJLM [蝶板 (Disc): 316型不锈钢 (316 Type Stainless Steel)/橡胶密封垫 (Seat rubber): 橡胶 (NBR)]
- PN16DJLME [蝶板 (Disc): 316型不锈钢 (316 Type Stainless Steel)/橡胶密封垫 (Seat rubber): 橡胶 (EPDM)]



材质 [Materials]

零件 [Parts]	材质 [Material]	材质 [Material]
阀体 [Body]	球墨铸铁 FCD 450	[Ductile iron FCD 450]
阀杆 [Stem]	13%Cr 不锈钢 SUS403	[13%Cr Stainless steel SUS 403]
蝶板 [Disc]	球墨铸铁/ 304 不锈钢 316 不锈钢	[Ductile iron/ 304 Type Stainless steel/ 316 Type Stainless steel]
O型圈 [O-ring]	橡胶	[NBR/EPDM]
橡胶密封垫 [Seat rubber]	橡胶	[NBR/EPDM]

尺寸 [Dimensions]

(mm)

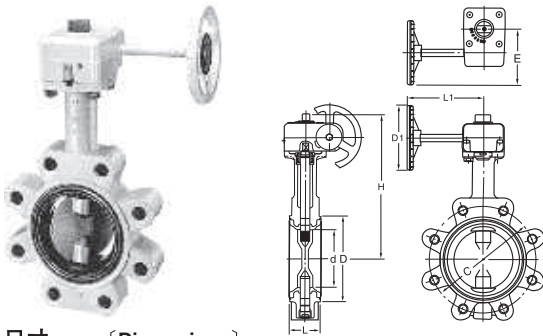
DN	mm	50	65	80	100	125	150	200
	inch	2	2½	3	4	5	6	8
d		50	65	80	100	125	150	200
H		191	199	217	227	265	277	287
L		43	46	46	52	56	56	60
D		90	104	124	146	176	206	257
C		125	145	160	180	210	240	295
D1		180	180	180	180	230	230	350

PN16

球墨铸铁 DJ 型蝶阀 (蜗轮式)

DJ Series Ductile Iron Lugged Type Butterfly Valves, Gear Operated

- G-PN16DJ [蝶板 (Disc): 球墨铸铁 (Ductile Iron)/橡胶密封垫 (Seat rubber): 橡胶 (NBR)]
- G-PN16DJE [蝶板 (Disc): 球墨铸铁 (Ductile Iron)/橡胶密封垫 (Seat rubber): 橡胶 (EPDM)]
- G-PN16DJU [蝶板 (Disc): 304型不锈钢 (304 Type Stainless Steel)/橡胶密封垫 (Seat rubber): 橡胶 (NBR)]
- G-PN16DJUE [蝶板 (Disc): 304型不锈钢 (304 Type Stainless Steel)/橡胶密封垫 (Seat rubber): 橡胶 (EPDM)]
- G-PN16DJM [蝶板 (Disc): 316型不锈钢 (316 Type Stainless Steel)/橡胶密封垫 (Seat rubber): 橡胶 (NBR)]
- G-PN16DJME [蝶板 (Disc): 316型不锈钢 (316 Type Stainless Steel)/橡胶密封垫 (Seat rubber): 橡胶 (EPDM)]



材质 [Materials]

零件 [Parts]	材质 [Material]	材质 [Material]
阀体 [Body]	球墨铸铁 FCD 450	[Ductile iron FCD 450]
阀杆 [Stem]	13%Cr 不锈钢 SUS403	[13%Cr Stainless steel SUS 403]
蝶板 [Disc]	球墨铸铁/ 304 不锈钢 316 不锈钢	[Ductile iron/ 304 Type Stainless steel/ 316 Type Stainless steel]
O型圈 [O-ring]	橡胶	[NBR/EPDM]
橡胶密封垫 [Seat rubber]	橡胶	[NBR/EPDM]

尺寸 [Dimensions]

(mm)

DN	mm	50	65	80	100	125	150	200	250	300
	inch	2	2½	3	4	5	6	8	10	12
d		50	65	80	100	125	150	197	246	295
H		210	218	236	246	274	286	325	391	416
L		43	46	46	52	56	56	60	68	78
D		90	104	124	146	176	206	257	312	364
C		125	145	160	180	210	240	295	355	410
D1		110	110	110	110	110	110	170	310	310
L1		135	135	135	135	150	150	180	280	280
E		96	96	96	96	96	96	148	221	221